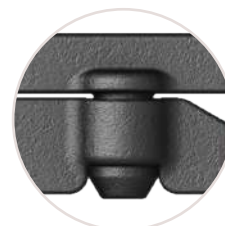
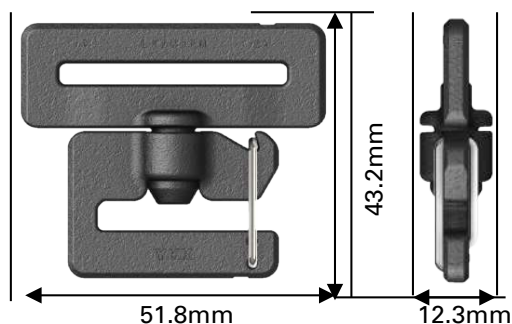
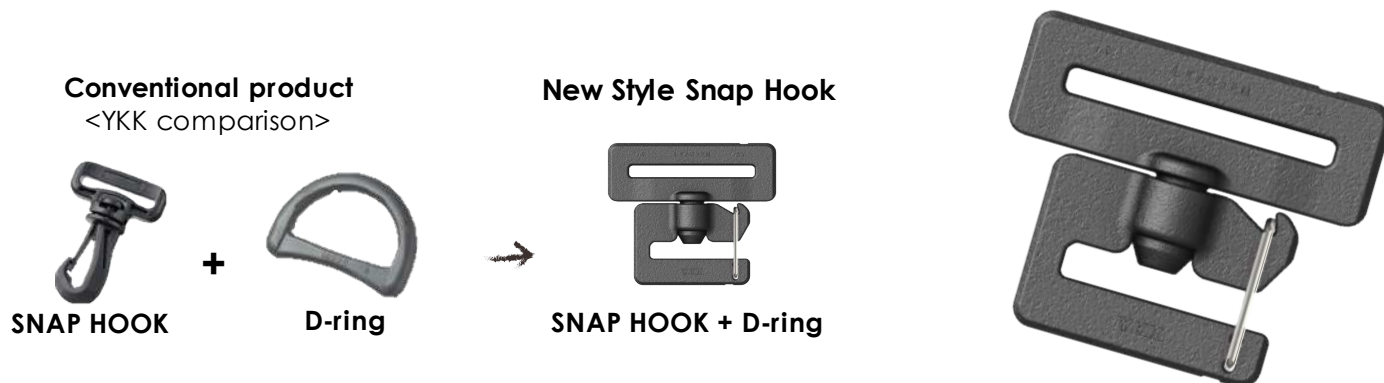


# Snap Hook

1. The roof top is constructed to allow two types of tape to pass through.
2. Slick material is used to "reduce squeaking noise" when rotating.



Slick material is used to "reduce squeaking noise" when rotating.

## COLOR VARIATION

DTM available

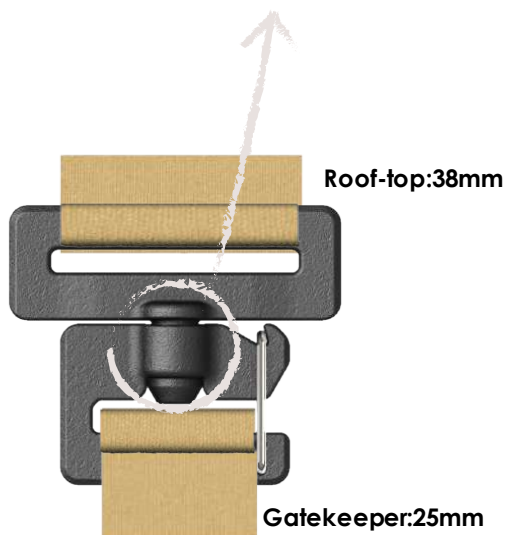
## ITEM AVAILABILITY

Sizes: 38 mm

Material: Polyacetal (POM) or Recycled POM

## RECOMMENDED

Backpack, Messenger Bags



This snap hook is constructed to allow two types of tape to pass through "38mm tape for the roof-top" and "25mm tape for the gate keeper".