

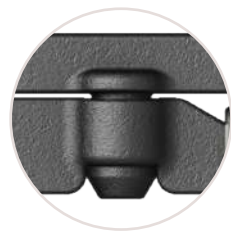
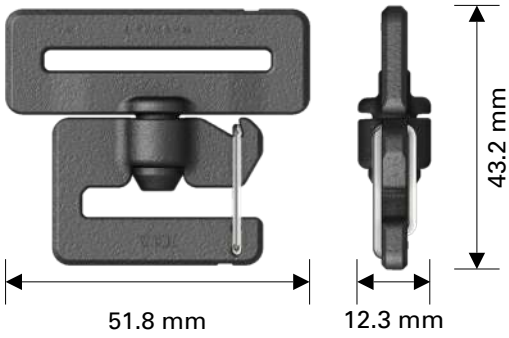
TWSS26-16



Code: LN38UMN SC-POM NOISE-LESS HOOK

Snap Hook

1. The roof top is constructed to allow two types of tape to pass through.
2. Slick material is used to "reduce squeaking noise" when rotating.

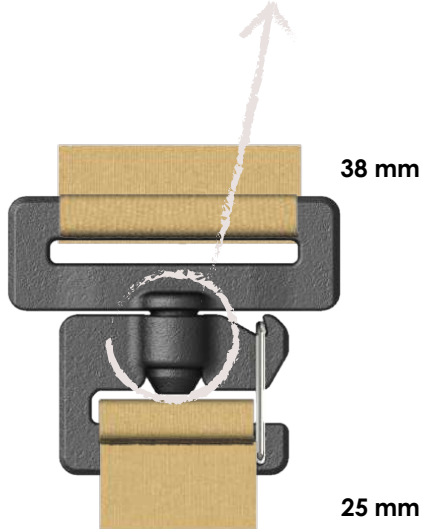


Slick material is used to "reduce squeaking noise" when rotating.

COLOR VARIATION
DTM available

ITEM AVAILABILITY
Sizes: 38 mm
Material: Polyacetal (POM) or Recycled POM

RECOMMENDED
Backpack, Messenger Bags  Backpack



This snap hook is constructed to allow two types of tape to pass through.